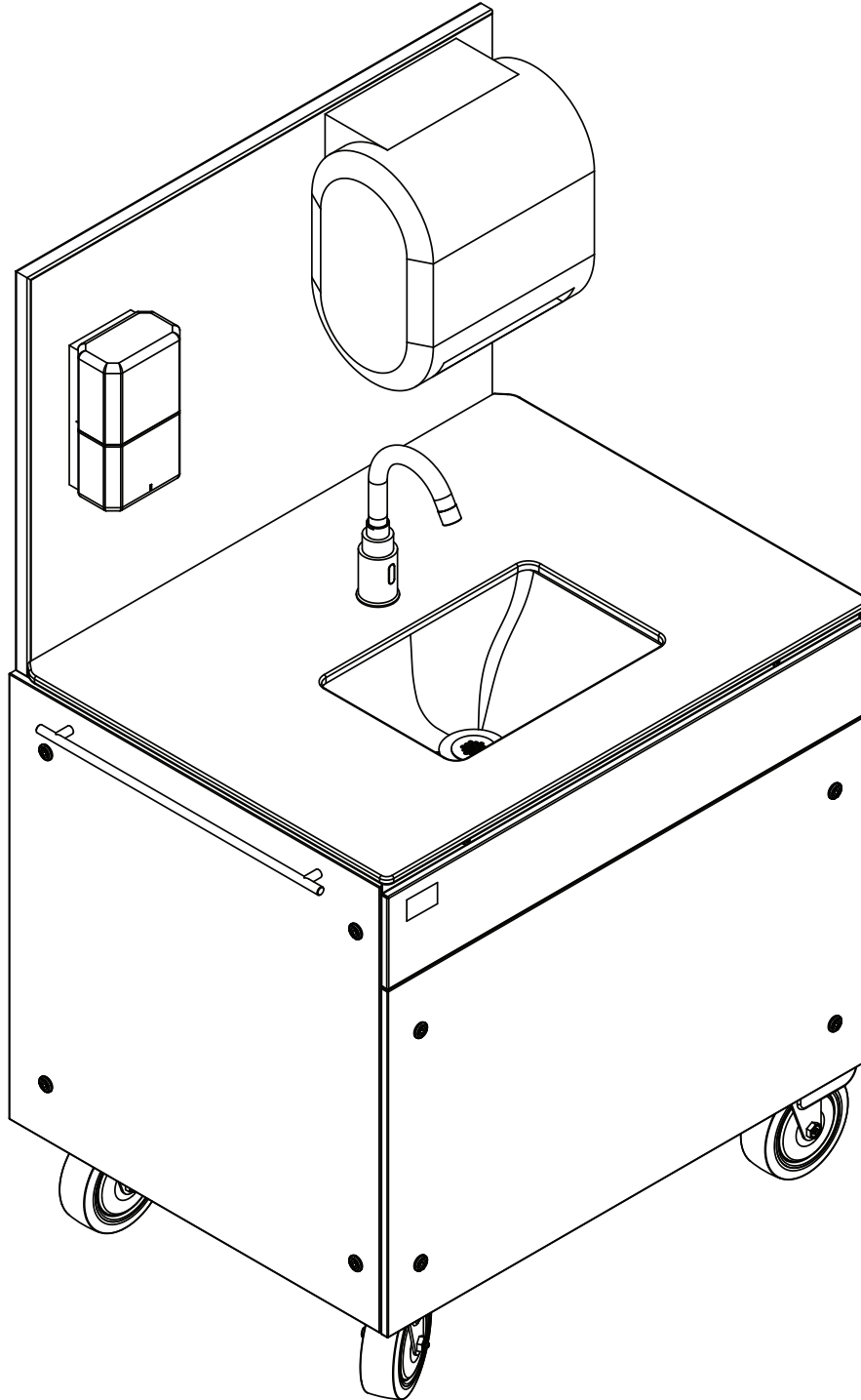


Sloan Mobile Handwashing Station MH-2000 Installation and Operation Instructions

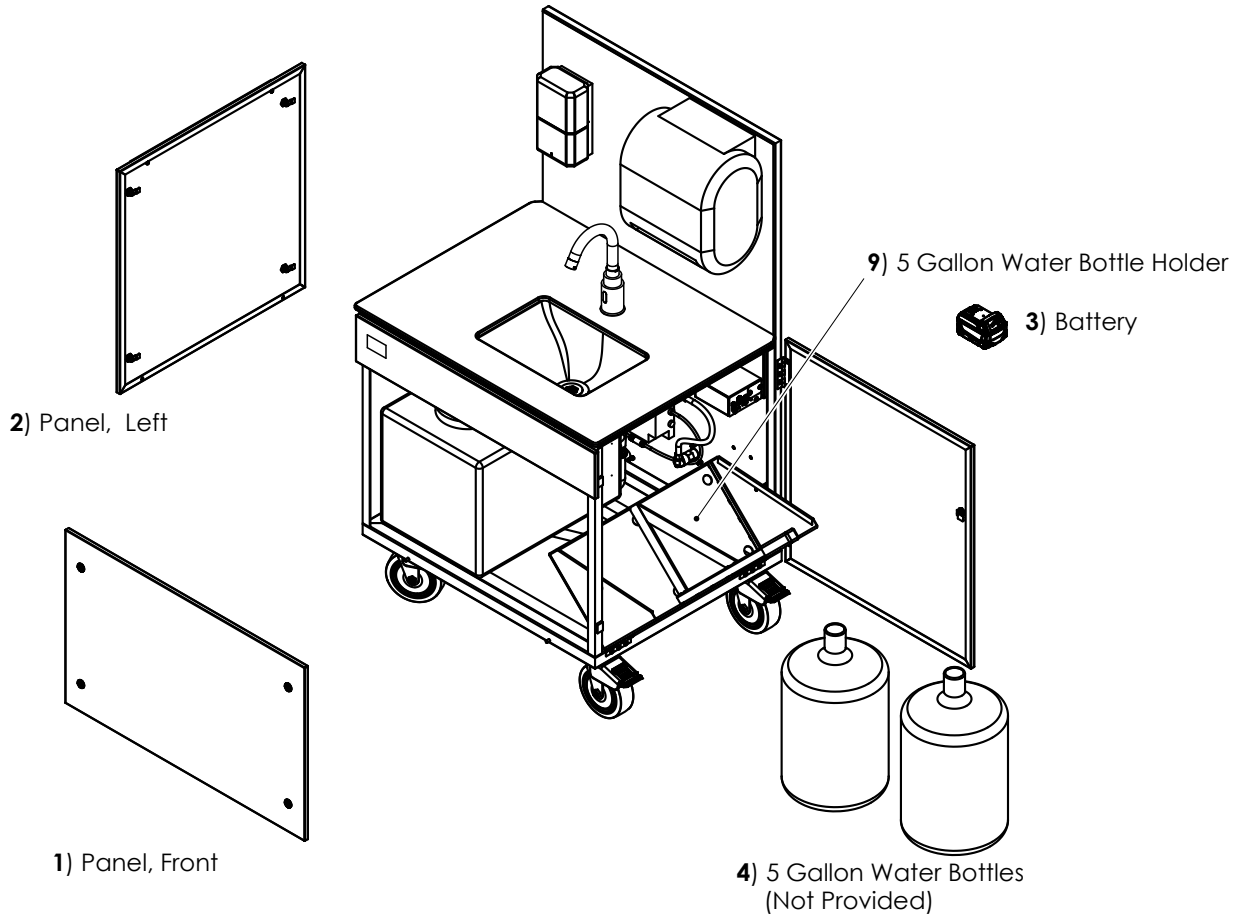


Limited Warranty

Unless otherwise noted, Sloan Valve Company warrants its Mobile Handwashing Sink to be made of first class materials, free from defects of material or workmanship under normal use and to perform the service for which it is intended in a thoroughly reliable and efficient manner when properly installed and serviced, for a period of one year from date of purchase. During this period, Sloan Valve Company will, at its option, repair or replace any part or parts which prove to be thus defective if returned to Sloan Valve Company, at customer's cost, and this shall be the sole remedy available under this warranty. This warranty covers enclosure framing, panels, countertop material and attachments. It does not limit or extend individual product component warranties provided by the component manufacturer. No claims will be allowed for labor, transportation or other incidental costs. This warranty extends only to persons or organizations who purchase Sloan Valve Company's products directly from Sloan Valve Company for purpose of resale. This warranty does not cover the life of the batteries.

THERE ARE NO WARRANTIES WHICH EXTEND BEYOND THE DESCRIPTION ON THE FACE HEREOF. IN NO EVENT IS SLOAN VALVE COMPANY RESPONSIBLE FOR ANY CONSEQUENTIAL DAMAGES OF ANY MEASURE WHATSOEVER.

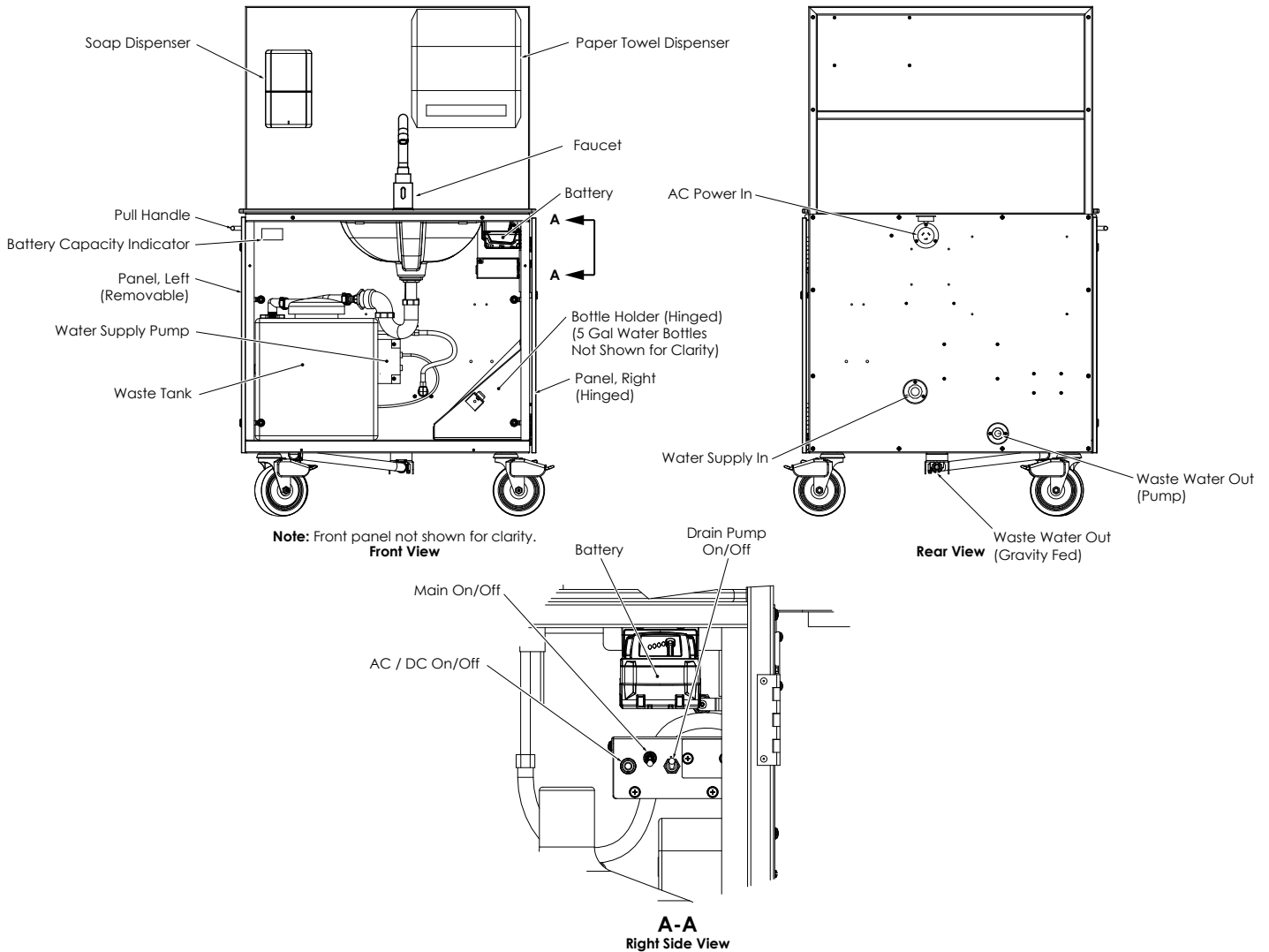
Figure 1



Parts List			
Description	Item Number	Quantity	
Panel, Lower Front	1	1	
Panel, Left	2	1	
5AH Li-Ion Battery	3	1	
5 Gallon Water Bottle (Not Supplied)	4	2	
Battery Charger (Not Shown)	5	1	
1/4" Hex Key (Not Shown)	6	1	
Paper Towel Key (Tool) (Not Shown)	7	1	
Trash Bag Holder (Not Shown) For standard 13 gallon draw-string trash bag, see spare parts list for details.	8	1	
5 Gallon Water Bottle Holder	9	1	

Mobile Handwashing Sink Component Layout

Figure 2



Component / Description	
Component	Description
Soap Dispenser	GOJO CS-8
Paper Towel Dispenser	EnMotion Impulse Auto Paper Towel Dispenser, White
Faucet	Sloan SF2250 Gooseneck Faucet
Battery	Milwaukee 5AH Li-Ion Battery
Water Bottle Holder	5 Gallon Water Bottle Holder (Holds two 5 gallon water bottles, not included)
Access Panel - Right	Hinged
Access Panel - Front	Removable
Access Panel - Left	Removable
Waste Tank	16 Gallon Waste Tank
Pull Handle	Handle for moving unit around facility
Battery Capacity Indicator	Displays battery level of unit
AC Power In	3 Prong Twist Lock
Water Supply In	3/4" garden hose connection
Waste Water Out	3/4" garden hose connection
AC / DC On/Off	3 way toggle switch, center off
Main Power Switch On/Off	Main power switch to the Mobile Handwashing Sink
Drain Pump Switch On/Off	Supplies power to the drain pump

Initial Setup Prior to First Use

IMPORTANT

(Must be completed before initial power up and water connection)

- Use holding tank cleaner/treatment for 16 gallon waste tank.
- Sanitation of the fresh water pump (if applicable) must be completed prior to initial use.
- Batteries for the paper towel dispenser are shipped loose and must be installed prior to initial use.
- Soap bottle is shipped loose and must be installed prior to initial use.

This mobile handwashing sink has multiple options for power, water supply, and drainage. See below.

Power

- AC Power
 - Select this option when power can be supplied by an external source.
- DC Power (If applicable) EnMotion
 - Select this option when external power is not available, and battery power is required.

Water Supply

- External Water Supply
 - Select this option when external water connection is available, this option can be connected via a 3/4" garden hose.
- 5 Gallon Water Supply (If applicable)
 - Select this option when external water connection is not available, two 5 gallon water bottles (not supplied) are required.

Drainage

- Manual (Gravity fed)
 - Select this option if no power is available to the unit. This option is controlled by a ball valve.
- Electric Pump
 - Select this option select this option if AC or DC power has been select, this option is controlled by a switch.
 - Select this option if waste needs to be pumped up hill or over a long distance.

Faucet:

- Refer to detailed SF-2250 instructions available via Sloan.com for the following:
 - Sensor calibration (If required)
 - Note:** Failure to properly calibrate the faucet sensor may lead to unexpected activation and increase maintenance intervals.
 - Priming
 - Battery battery replacement
 - Care and cleaning

Soap Dispenser:

- Refer to detailed CS-8 instructions available via GOJO.com for the following:
 - Installation of replacement soap bottle and battery (Shipped together)
 - Care and cleaning

Paper Towel Dispenser:

- Refer to EnMotion manufacturer instructions for the following:
 - Installation of batteries (Included, shipped loose)
 - Paper towel installation
 - Paper length setting
 - Care and cleaning

Fresh Water Pump:

- Refer to detailed instructions available via Xylem.com for the following:
 - Sanitize unit prior to first use.
 - Routine sanitation must occur as required, minimum 6 times per year.

16 Gallon Waste Tank

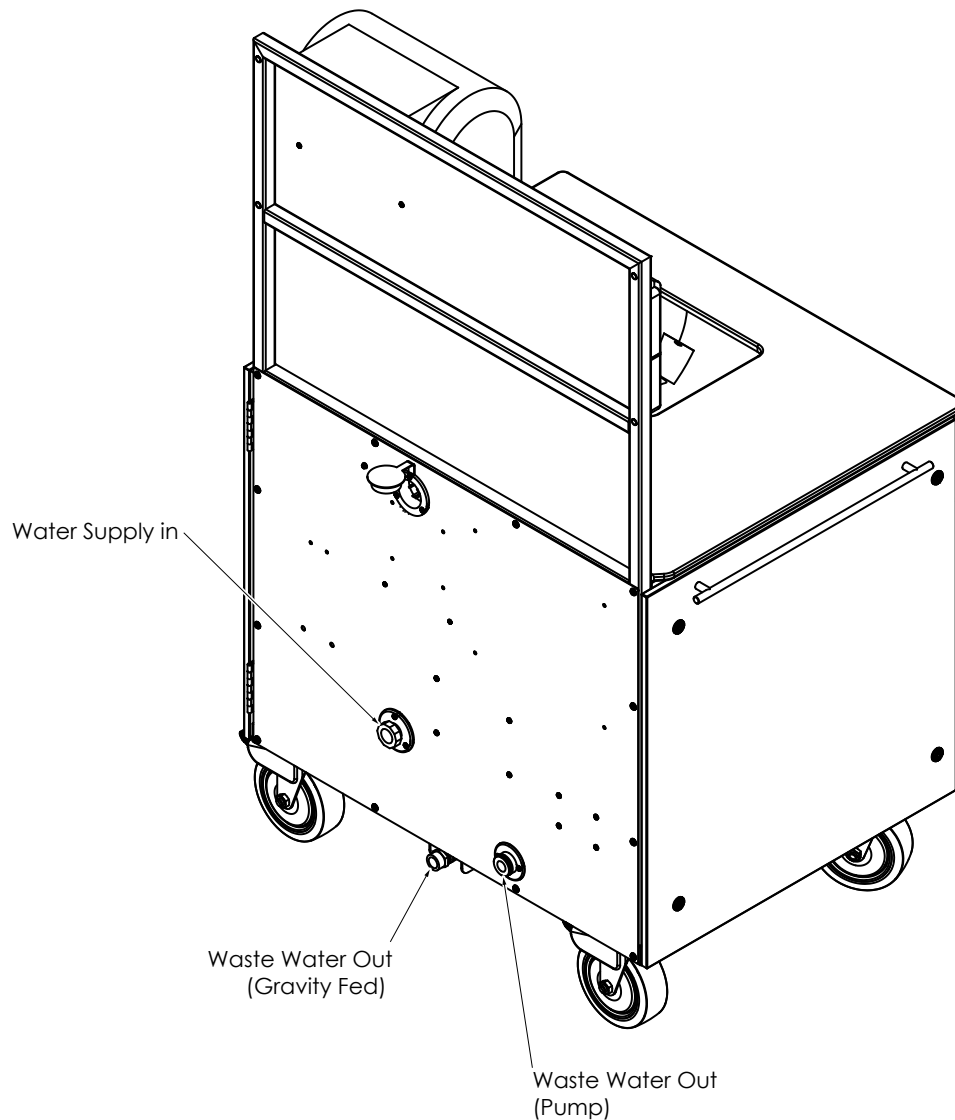
- Sanitation of Grey Water Tank
 - The 16 Gallon grey water tank must be treated to break down waste and eliminate odors. Using a liquid holding tank cleaner/treatment, follow the holding tank cleaner instructions for cleaning or treatment of grey water holding tank. For best results, clean and flush the tank weekly regardless of the water level or usage. Recommend using a formaldehyde-free formulation that is safe for all pipes including PVC. Routine treatment is an important step to ensure reliable service.

5 Gallon Water Bottles

- Potable (Drinking) water should be provided by local water supplier and should be exchanged when empty, NOT refilled.

Setting Up for External Water Supply In and Waste Water Out

Figure 3



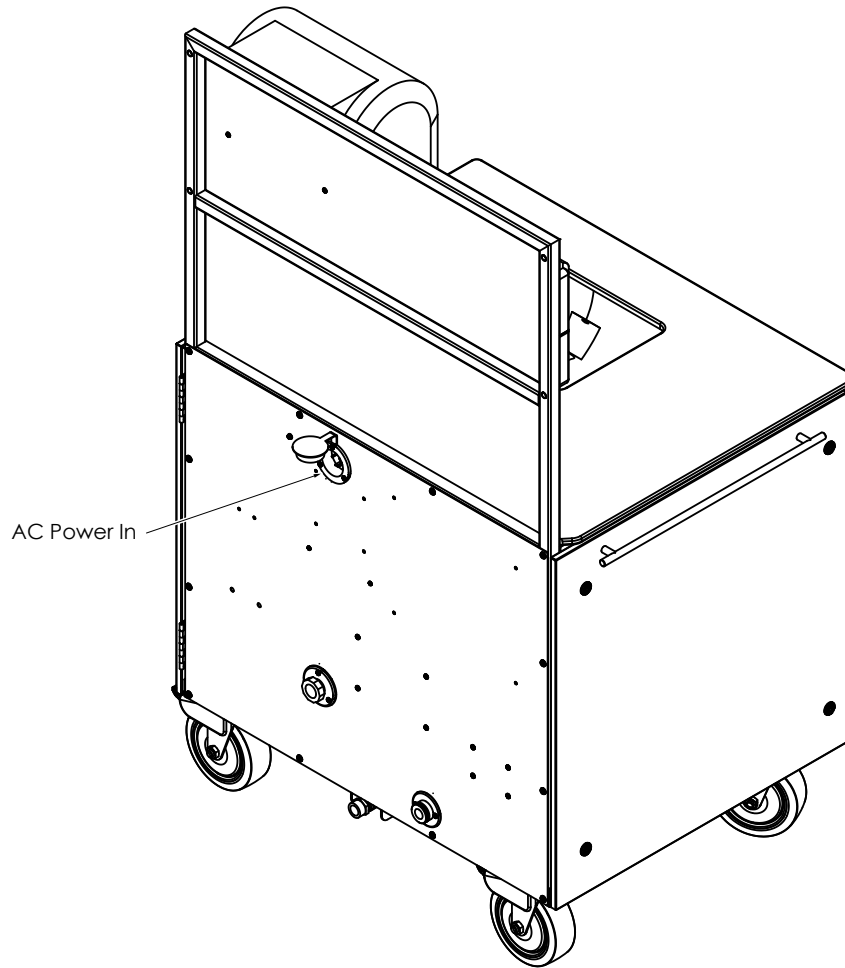
1. Connect to water supply in.
 - a. Make sure that the external water is OFF
 - b. Using a standard 3/4" garden hose or equivalent, connect to an external water supply.
 - c. Connect the opposite end of the hose to the Water Supply In on the middle, rear panel of the Mobile Handwashing Sink.
 - d. Make sure that connection is tight and does not leak.

2. Connect to waste line out (Gravity Fed).
 - a. Using a standard 3/4" garden hose or equivalent, connect to the Waste Line Out on the bottom, rear panel of the Mobile Handwashing Sink.
 - b. Make sure that connection is tight and does not leak.
 - c. Place the opposite end of the hose in an appropriate area for draining waste water tank.

3. Connect to waste line out (Pump).
 - a. Make sure that the gravity fed ball valve is in the closed position.
 - b. Using a standard 3/4" garden hose or equivalent, connect to the Waste Line Out on the bottom, rear panel of the Mobile Handwashing Sink.
 - c. Make sure that connection is tight and does not leak.
 - d. Place the opposite end of the hose in an appropriate area for draining waste water tank.

Connect the AC Power In

Figure 4



WARNING - Risk of Electric Shock. Connect Only to a Supply Protected by a Ground-Fault Circuit-Interrupter (GFCI).

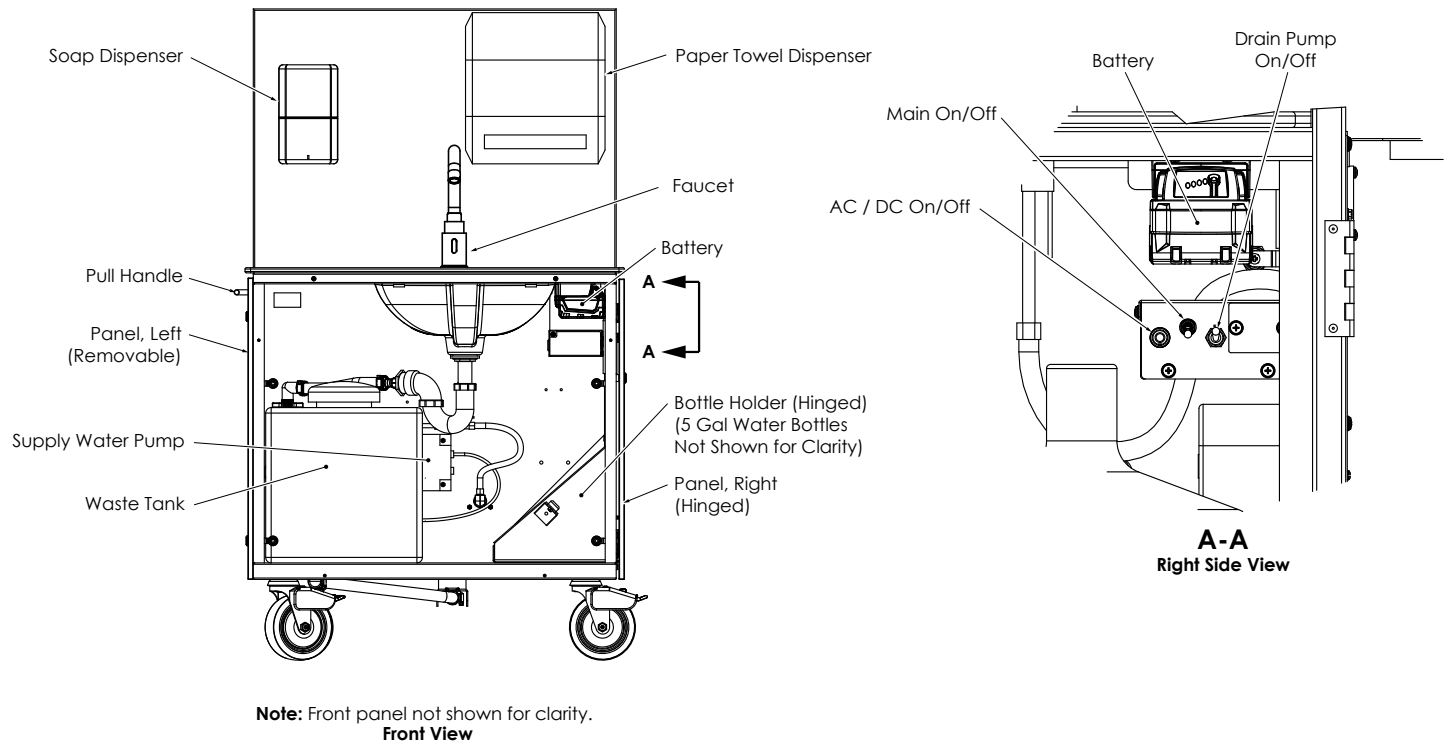
1. Plug a 12/3-Prong NEMA L5-20 AMP 125V Power cord (Not supplied) into twist lock AC Power In receptacle on the rear panel of the Mobile Handwashing Sink, and connect the opposite end to a matching NEMA L5-20R twist-lock receptacle (120V/20A).

Note:

Strain Relief - UL 1951, Clause 10.4 and C22.2 No. 68, Clause 5.6 - A flexible cord shall be provided with a means to reduce the transmittal of tensional or rotational force from the cord to the wiring connections. A detachable flexible power supply cord will be permitted for the 120 VAC powered Hand Washing Stations if the appliance inlet is a twist-lock design.

Operation Instructions AC Power

Figure 5

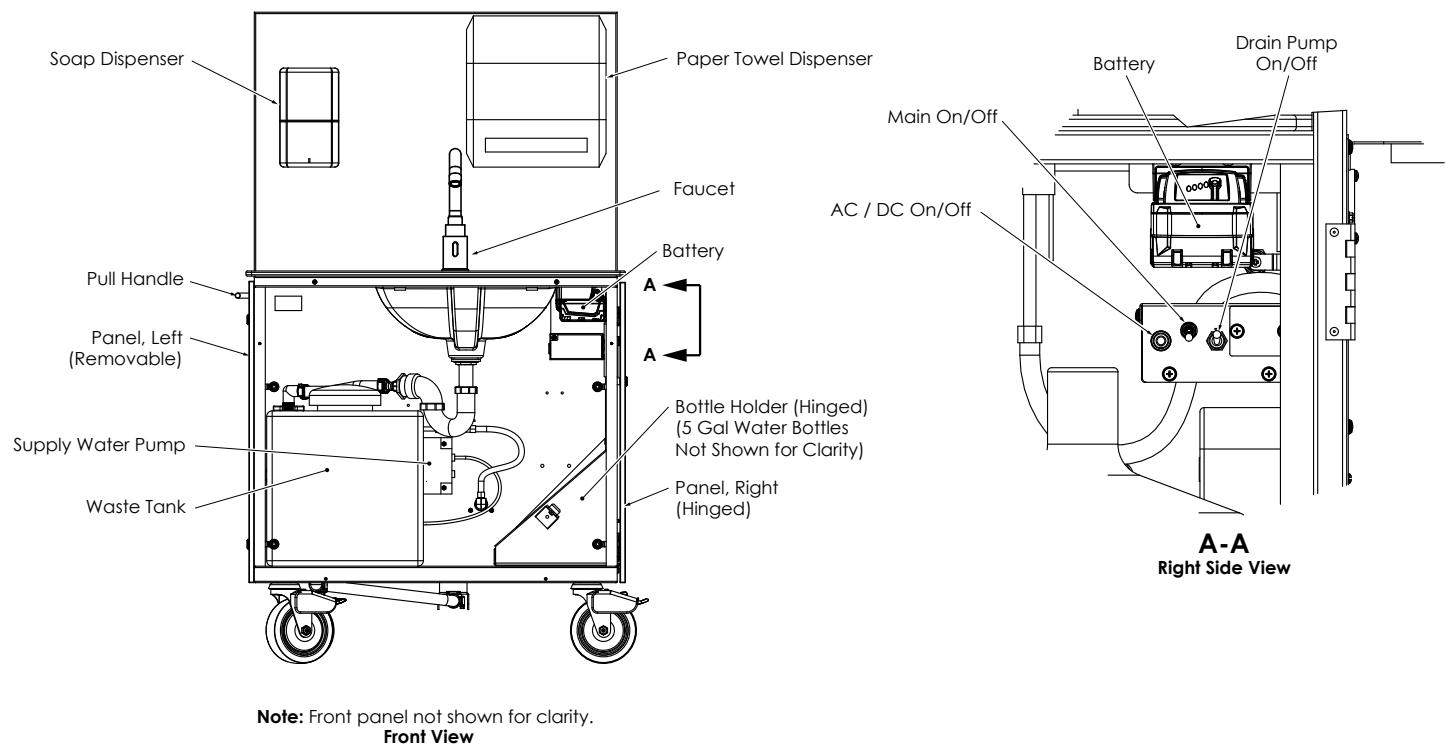


1. Position the Mobile Handwashing Sink where needed.
2. Lock each caster in place to secure the Mobile Handwashing Sink in place.
 - a. Press down on the lock lever for each caster until the lever locks into place and the caster no longer rotates freely.
 - b. To release the lock lever, press up on each lock lever until the lever locks in the open position and the caster rotates freely.
3. Connect external water supply in and the waste line out.
4. Plug a 12/3-Prong NEMA L5-20 AMP 125V Power cord (Not supplied) into twist lock AC Power In receptacle on the rear panel of the Mobile Handwashing Sink, and connect the opposite end to an 110 VAC power source.
5. Using AC Power.
 - a. Position the AC / DC Switch to the AC position.
 - b. Position the Main On/Off Switch in the on position.
 - c. If using the electric drain pump option, position the drain pump switch in the On position.
6. When using the Mobile Handwashing Sink for the first time, prime the sensor faucet by moving your hand in front of the faucet sensor to prime the water lines.

The Mobile Handwashing Sink is ready for use.
7. Drain Waste Tank when above half full.
 - a. Periodically remove or open an access panel to check the waste tank water level. If the waste tank water level is more than half full, drain the waste tank.
8. Set all switches to the off position when not in use

Operation Instructions DC (Battery) Power

Figure 6



1. Position the Mobile Handwashing Sink where needed.
2. Lock each caster in place to secure the Mobile Handwashing Sink in place.
 - a. Press down on the lock lever for each caster until the lever locks into place and the caster no longer rotates freely.
 - b. To release the lock lever, press up on each lock lever until the lever locks in the open position and the caster rotates freely.
3. Connect external water supply in and the waste line out.
4. Using DC (Battery) Power.
 - a. Position the AC / DC Switch to the DC position.
 - b. Position the Main On/Off Switch in the on position.
5. If using the electric drain pump option.
 - a. Position the drain pump switch in the On position.

Note: Make sure battery is fully charged prior to use. Recharge battery as needed, minimum once daily.

6. When using the Mobile Handwashing Sink for the first time, prime the sensor faucet by moving your hand in front of the faucet sensor to prime the water lines.

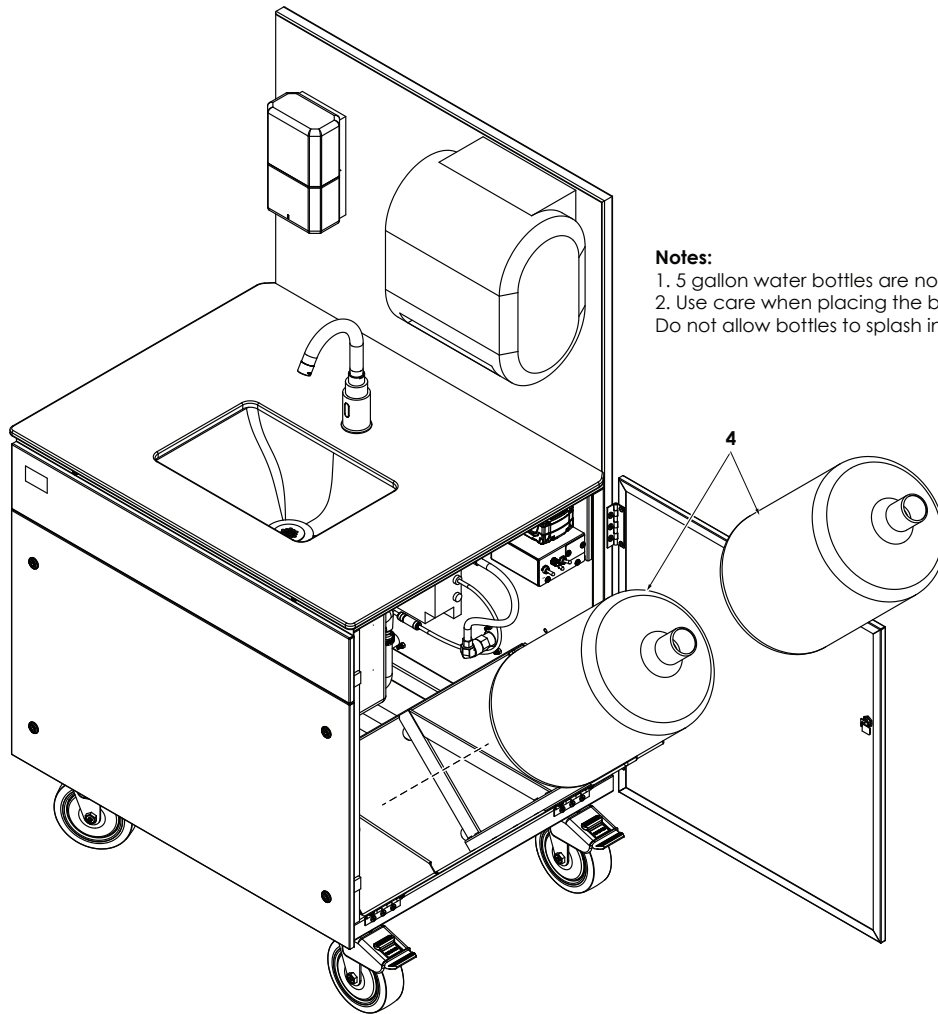
The Mobile Handwashing Sink is ready for use.

7. Drain Waste Tank when above half full.
 - a. Periodically remove or open an access panel to check the waste tank water level. If the waste tank water level is more than half full, drain the waste tank.
8. Set all switches to the off position when not in use.

Note: AC/DC Switch, select the center position.

Install 5 Gallon Water Bottles

Figure 7



Notes:

1. 5 gallon water bottles are not supplied.
2. Use care when placing the bottles in to the bottle holder. Do not allow bottles to splash inside the unit.

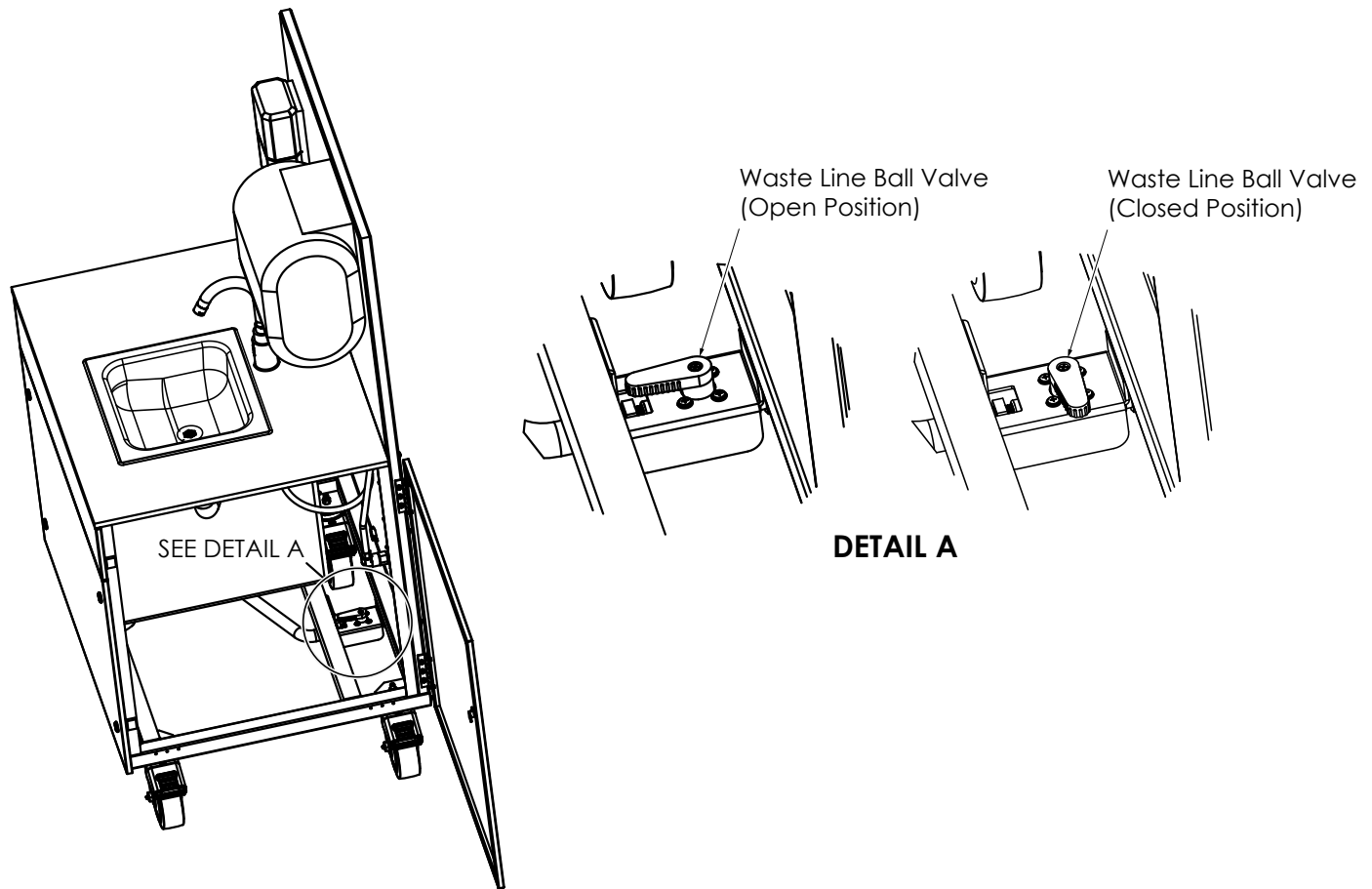
1. If not using an external water source, install two, 5 Gallon Water Bottles (4) (not supplied) into the water bottle platform.
 - a. Tilt the water bottle platform as shown.
 - b. Insert two, unopened, 5 Gallon Water Bottles (4) (not supplied) onto the water bottle platform.
 - c. Tilt water bottle platform back to the original position.
2. Insert water line into 5 gallon water bottle
 - a. Remove cap from 5 gallon water bottle.
 - b. Insert suction wand that is attached to the supply water pump.
 - c. Make sure the power switch on the water supply pump is in the ON position.
3. Remove water line from the empty 5 gallon water bottle and repeat step 2 with new/full 5 gallon water bottle. DO NOT let the water line come into contact with any object during transfer.

Note: If bottle runs empty, float switch will shut off the unit.
4. Replace empty 5 gallon water bottle with new, unopened fresh water bottle, repeat step 1.

DO NOT refill/reuse empty water bottles.

Draining the Waste Water Tank (Gravity Fed)

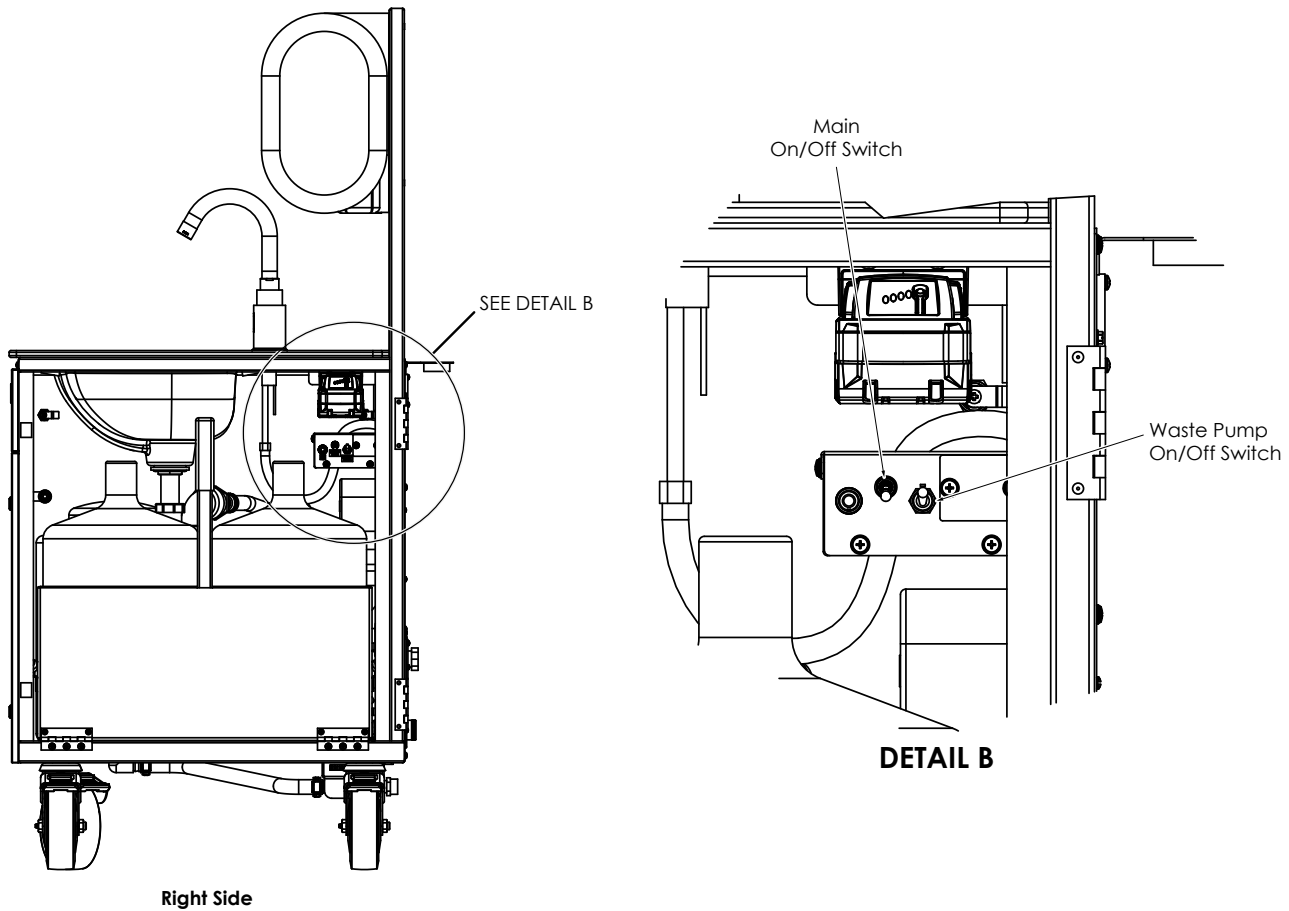
Figure 8



1. Drain the waste tank (Gravity Fed).
 - a. Make sure that waste line hose is connected to waste line out (Gravity Fed Location, Figure 3, page 5) at the bottom rear panel of the Mobile Handwashing Sink.
 - b. Make sure that the opposite end of the waste line hose is in an appropriate location to drain the waste water tank. 16 gallons minimum drainage.
 - c. Use the 1/4" Hex Key (Included), unlock the cam latch on the right access panel. Open the right side access panel.
 - d. Locate the waste line ball valve and turn a 1/4 turn to open the valve.
 - e. Close the waste line ball valve when waste water tank is empty.
 - f. Close and latch the right access panel.

Draining the Waste Water Tank (Electric Pump)

Figure 9



1. Drain the waste tank (Electric Pump).
 - a. Make sure that waste line hose is connected to waste line out (Pump Location, Figure 3, page 5) at the bottom rear panel of the Mobile Handwashing Sink.
 - b. Make sure that the opposite end of the waste line hose is in an appropriate location to drain the waste water tank. 16 gallons minimum drainage.
 - c. Use the 1/4" Hex Key (Included), unlock the cam latch on the right access panel. Open the right side access panel.
 - d. Locate the Main On / Off Switch and toggle to the On position.
 - e. Locate the Waste Pump On Off Switch and toggle to the On position.
 - f. Toggle Waste Pump Switch to the Off position when the waste tank is empty.

Note: Failure to turn the waste water pump off when the tank is empty can damage the pump or cause premature pump failure.
 - g. Close and latch the right access panel.

Suggested Usage Schedule		
Description	Unit of Measure	Frequency
Fresh Water	5gal Bottle	3 per Day
Waste Water	16 gal Tank	Drain Daily
Battery Charge	Full Charge	Daily
Soap Refill	Refill	2 per Day
Paper Towel Refill	Roll	Daily

Notes:

1. Frequency may vary per actual daily use.
2. Recharge battery daily, regardless of use. Make sure that battery is fully charged prior to each use.
3. Empty and treat waste water tank weekly, regardless of use.

WARNING

DO NOT operate or store Mobile Hand Washing Station below freezing temperatures. Damage to internal components may occur.

Care and Maintenance

DuPont Corian® Surface Care	
Most Dirt & Residue	Use soapy water or ammonia-based cleaner (not window cleaner), rinse and wipe completely dry. Commercially available solid surface cleaners such as Clean EnCounters® also works well.
Preventing Hard Water Marks	Rinse and wipe completely dry after cleaning. Clean spills before they dry.
Removing Hard Water Marks	Use cleaner formulated for removing hard water such as CLR® or Lime-A-Way®
Disinfecting	Occasionally wipe surface with diluted household bleach – 1:100 (5 Tbsp. of bleach to 1 gallon of water, as recommended by the CDC for disinfection of surfaces.

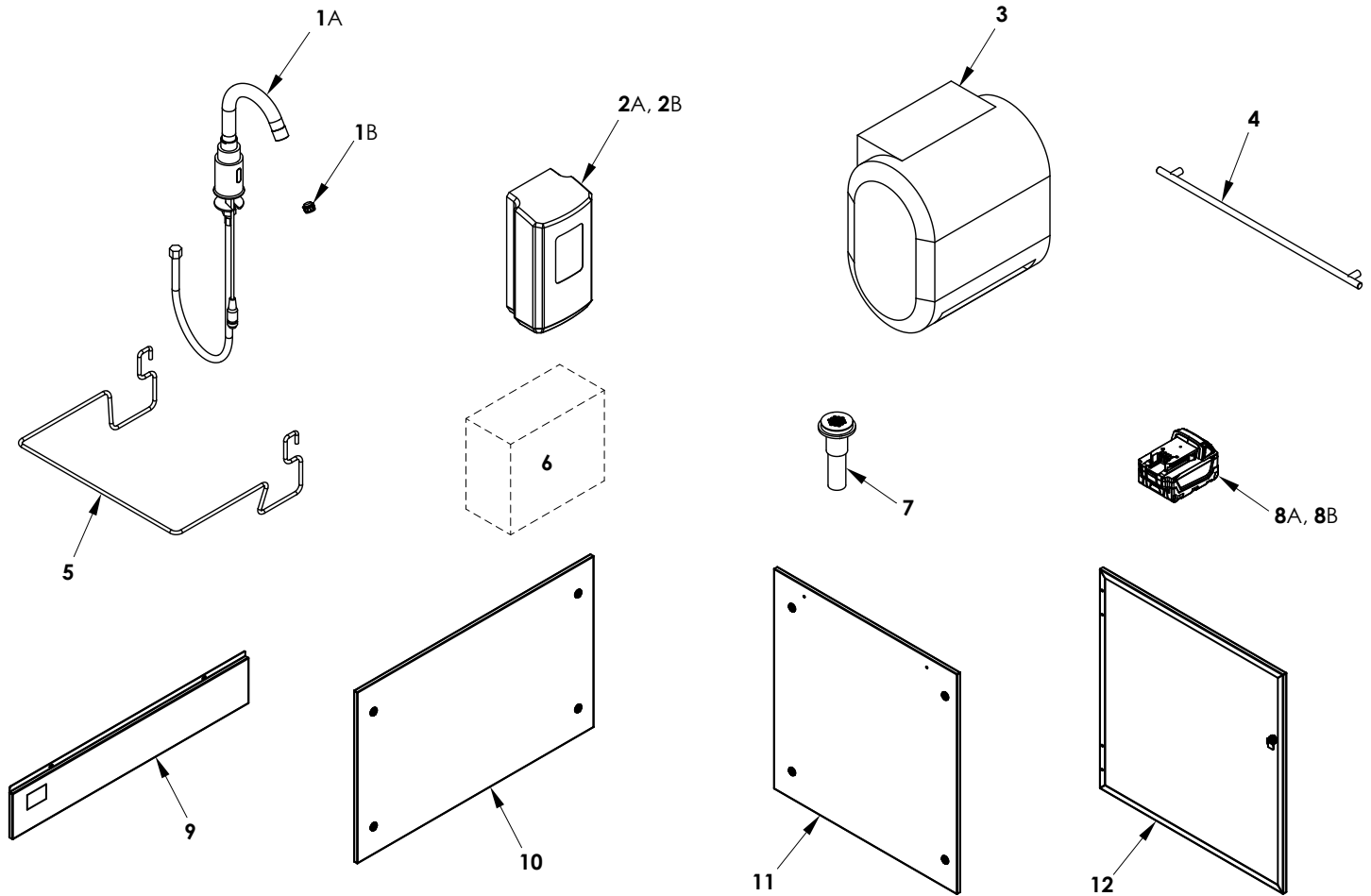
Additional guidance for surface care and maintenance can be found at:

https://www.corian.com/IMG/pdf/k-29810_corian_solid_surface_care_and_maintenance_for_facility_managers.pdf

Lubrication

Periodically apply silicone or oil lubricant to moving parts such as casters and hinges for smooth operation and protection.

Illustrated Spare Parts List



Spare Parts List

Item No.	Code No.	Description
1A	3362144	Sloan® SF-2250-Gooseneck Faucet
1B	0365420	0.5 GPM Aerator for Sloan® SF-2250 Faucet
2A	0383300	PURELL® CS8 Soap Dispenser
2B	0383301	PURELL® CS8 1200 mL HEALTHY SOAP® refill, 2pk.
3	0383332	Georgia Pacific® enMotion® Impulse® Automatic Paper Towel Dispenser, White
4	0383505	Pull Handle
5	0383390	Trash bag Holder
6	0383518	Graphic Label Kit
7	0365036PK	Sloan® ETF-460A Grid Strainer
8A	0108620	Milwaukee® M18™ REDLITHIUM™ XC5.0 Extended Capacity Battery Pack, Cat. No. 48-11-1850
8B	0383352	Milwaukee® M18™ & M12™ Rapid Charger, Cat. No. 48-59-1808
9	3830010	MH PANEL ASM-UPPER FRONT W/ DISPLAY
10	3830009	MH PANEL ASM-LOWER FRONT
11	3830006	MH PANEL ASM-LEFT
12	3830007	MH PANEL ASM-RIGHT